

PULSATION DAMPENERS


FOOD EQUAFLUX 302

MADE IN ITALY



- **Product of Italian origin**
- Works with **non**-lubricated
- Idles without damage
- High output and sturdiness
- Suitable for minimising flow pulsations
- Suitable for minimising vibration during pumping
- Electropolished 316 steel body
- Ideal for the food, cosmetics and beverage industries
- Materials in compliance with FDA regulations
- Parts in contact with fluid:
Electropolished AISI 316 and FDA PTFE
- Atex Zone 1 (*on request*) - Atex zone 2 standard
- CLAMP / DIN fittings available on request



 **STANDARD:** II 3/3 GD c IIB T135°C (zone 2)
CONDUCT: II 2/2 GD c IIB T135°C (zone 1)



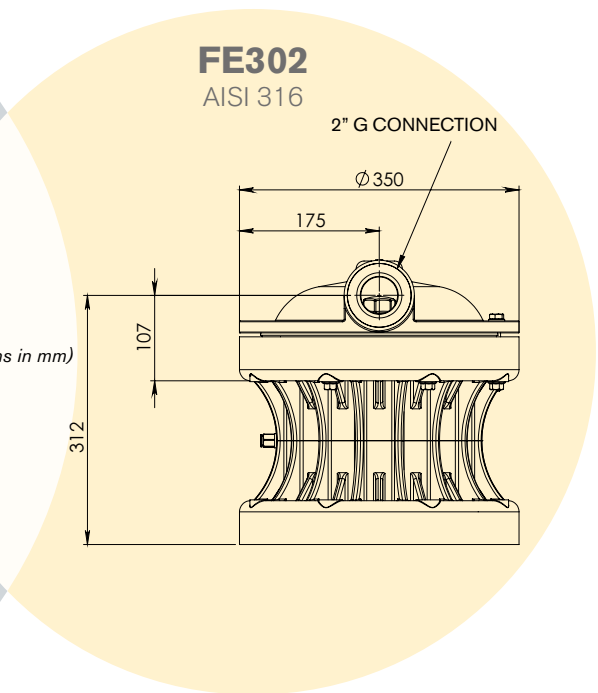
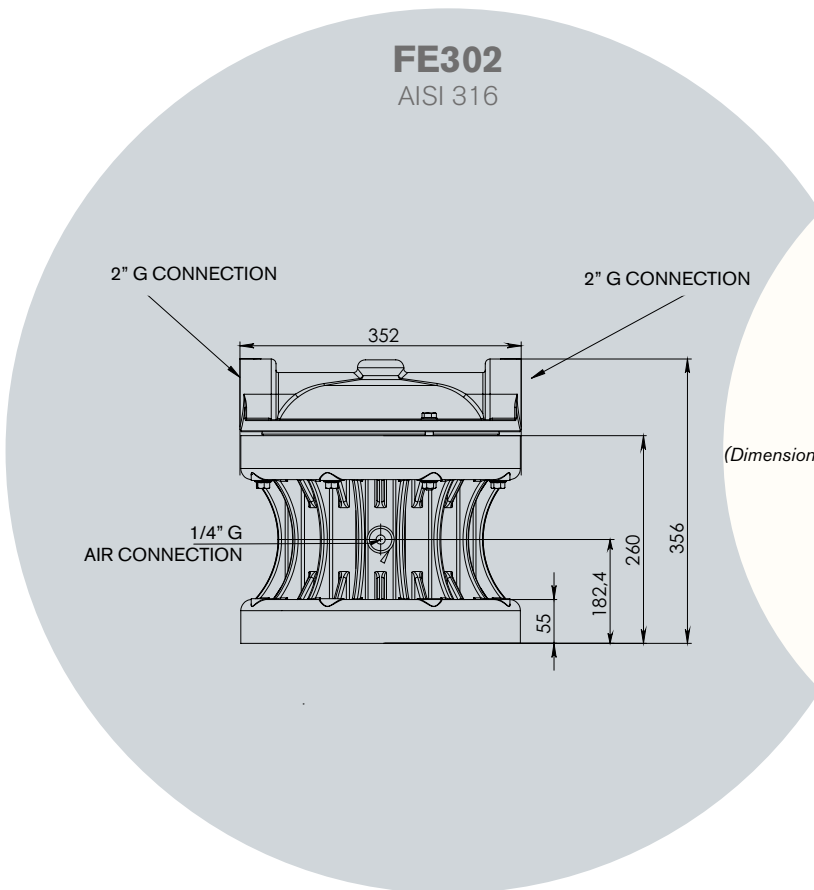
FOOD EQUAFLUX 302

Ex STANDARD: II 3/3 GD c IIB T135°C (zone 2)
CONDUCT: II 2/2 GD c IIB T135°C (zone 1)

AVAILABLE MATERIALS



AISI 316



PRODUCT CONNECTION	AIR CONNECTION	MAX. AIR SUPPLY PRESSURE	APPLICABILITY	WEIGHT	OPERATING TEMPERATURE	DIMENSION (mm)
G 2"	ø 8 mm	7 bar	FOODBOXER 502	32 Kg	min +3°C max. +95°C	356x352