

PULSATION DAMPENERS


EQUAFLUX 200

MADE IN ITALY



- **Product of Italian origin**
- Works with **non**-lubricated air
- Idles without damage
- High output and sturdiness
- Suitable for minimising flow pulsations
- Suitable for minimising vibration during pumping
- Atex Zone 1 (*on request*) - Atex zone 2 standard

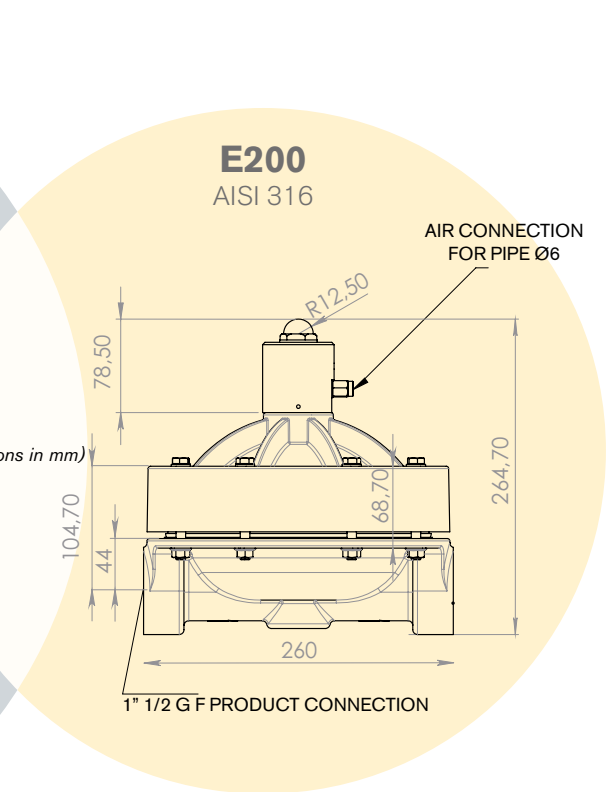
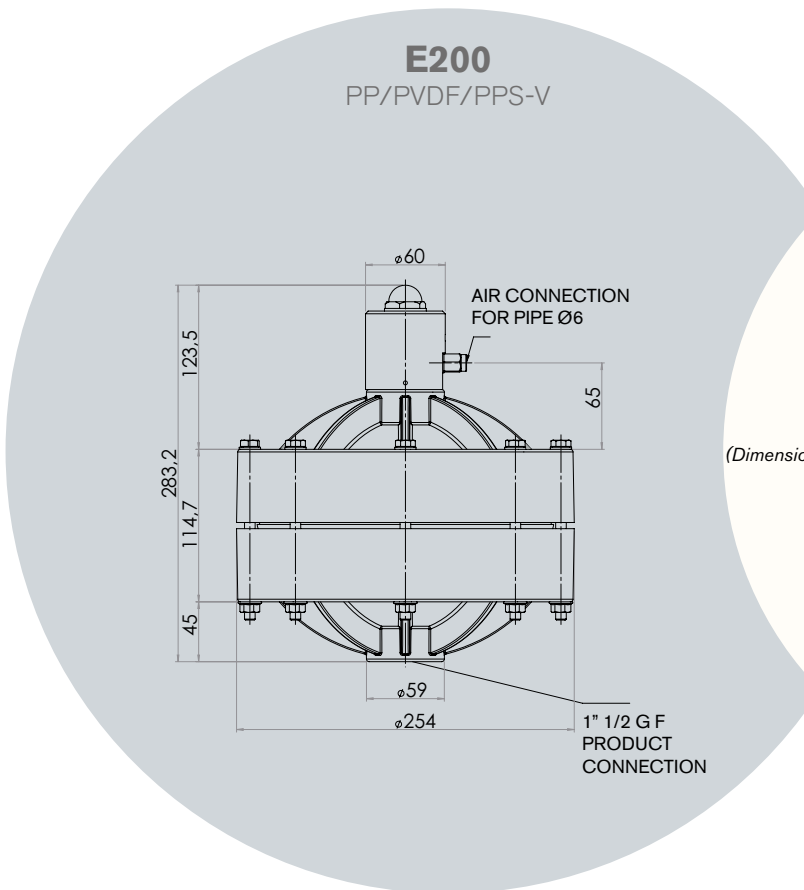
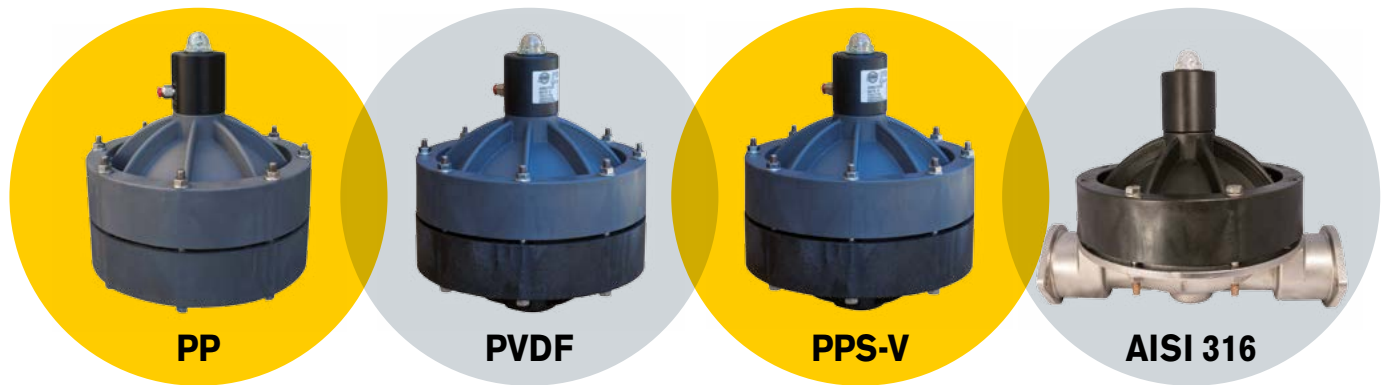


 **STANDARD:** II 3/3 GD c IIB T135°C (zone 2)
CONDUCT: II 2/2 GD c IIB T135°C (zone 1)



Ex STANDARD: II 3/3 GD c IIB T135°C (zone 2)
 CONDUCT: II 2/2 GD c IIB T135°C (zone 1)

AVAILABLE MATERIALS



PRODUCT CONNECTION	AIR CONNECTION	MAX. AIR SUPPLY PRESSURE	APPLICABILITY	MATERIAL	WEIGHT	OPERATING TEMPERATURE	DIMENSION (mm)
G 1" 1/2	ø 6 mm	7 bar	BOXER 100 PP, BOXER 150 PP, BOXER 251 PP	PP	3,8 Kg	min +3°C max. +65°C	283,2x254
G 1" 1/2	ø 6 mm	7 bar	BOXER 100 PVDF, BOXER 150 PVDF, BOXER 251 PVDF	PVDF	4,5 Kg	min +3°C max. +95°C	283,2x254
G 1" 1/2	ø 6 mm	7 bar	BOXER 150 ALU, BOXER 251 ALU, BOXER 100 ALU	PPS-V	4,5 Kg	min +3°C max. +95°C	283,2x254
G 1" 1/2	ø 6 mm	7 bar	BOXER 150 Aisi, BOXER 251 Aisi, BOXER 100 Aisi	AISI 316	7,45 Kg	min +3°C max. +95°C	264,7x254