

## PULSATION DAMPENERS

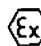
# EQUAFLUX 100

MADE IN ITALY



- **Product of Italian origin**
- Works with **non**-lubricated air
- Idles without damage
- High output and sturdiness
- Suitable for minimising flow pulsations
- Suitable for minimising vibration during pumping
- Atex Zone 1 (*on request*) - Atex zone 2 standard

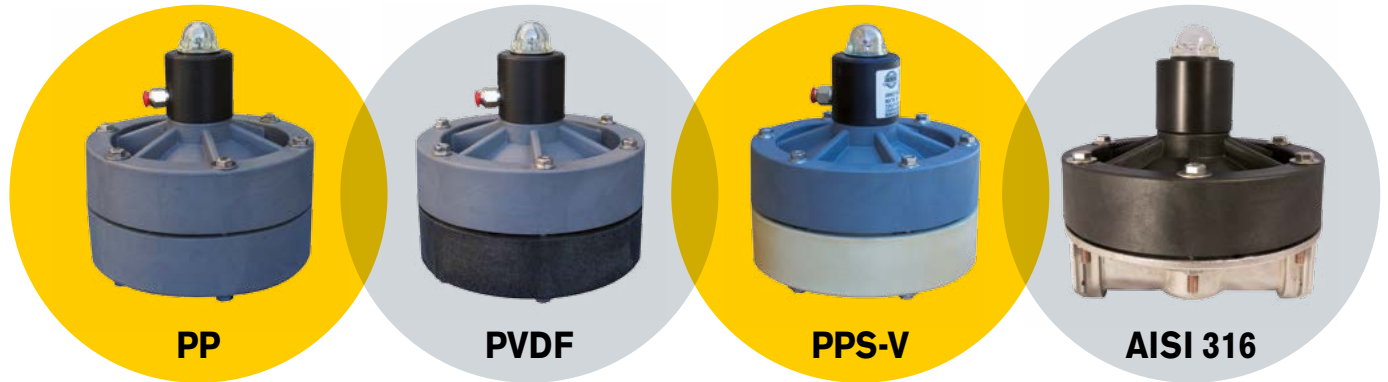


 **STANDARD:** II 3/3 GD c IIB T135°C (zone 2)  
**CONDUCT:** II 2/2 GD c IIB T135°C (zone 1)



**Ex** STANDARD: II 3/3 GD c IIB T135°C (zone 2)  
 CONDUCT: II 2/2 GD c IIB T135°C (zone 1)

AVAILABLE MATERIALS



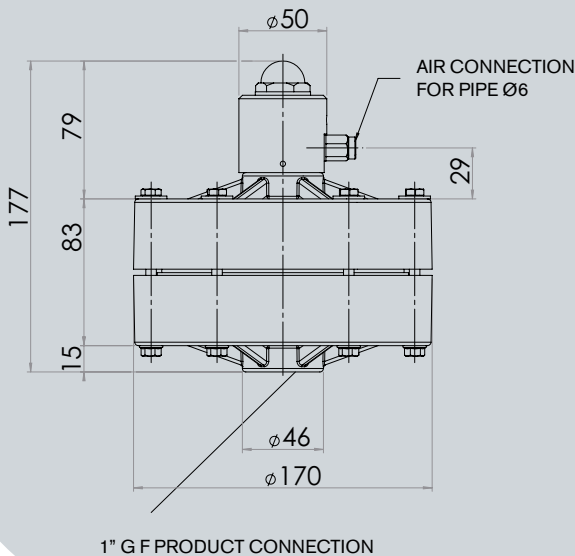
PP

PVDF

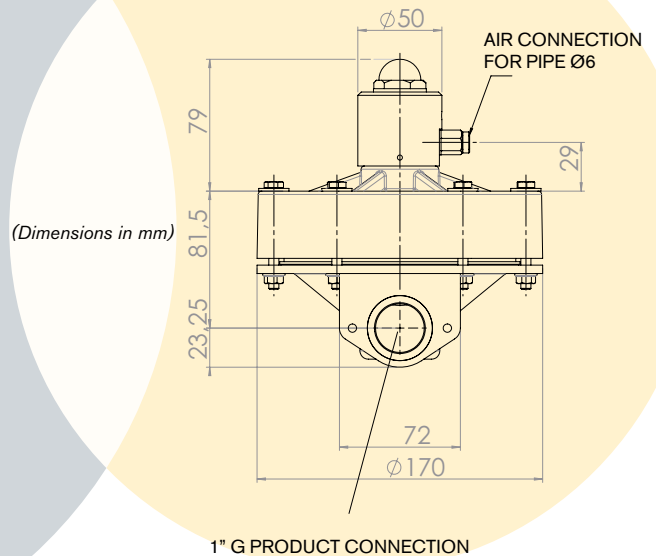
PPS-V

AISI 316

**E100**  
PP/PVDF/PPS-V



**E100**  
AISI 316



PRODUCT CONNECTION	AIR CONNECTION	MAX. AIR SUPPLY PRESSURE	APPLICABILITY	MATERIAL	WEIGHT	OPERATING TEMPERATURE	DIMENSION (mm)
G 1"	ø 6 mm	7 bar	BOXER 50 PP, BOXER 81PP	PP	1,5 Kg	min +3°C max. +65°C	177x170
G 1"	ø 6 mm	7 bar	BOXER 50 PVDF, BOXER 81 PVDF	PVDF	1,7 Kg	min +3°C max. +95°C	177x170
G 1"	ø 6 mm	7 bar	BOXER 50 ALU, BOXER 81 ALU	PPS-V	1,7 Kg	min +3°C max. +95°C	177x170
G 1"	ø 6 mm	7 bar	MINIBOXER AISI 316, BOXER 80 AISI 316	AISI 316	2,56 Kg	min +3°C max. +95°C	183,2x151