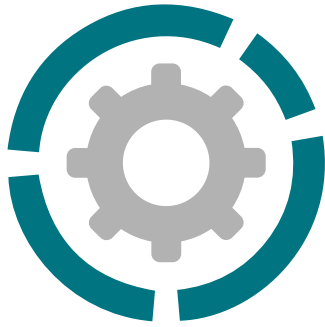


# MICROBOXER

## AIR-OPERATED DOUBLE DIAPHRAGM PUMPS



Suction / delivery connections	G 1/2" f(*)
Air fitting	G 1/4" f
Max flow rate*	35 l/min
Max supply air pressure	8 bar
Max head*	80 m
Max negative suction head - dry-running**	4 m
Max negative suction head - pump primed	9,5 m
Max diameter of suspended solids	2 mm
Noise level	65 dB
Volume per stroke	30 cc

(\*) clamp or NPT available only on request  
\*\* The value depends on the pump configuration.



- Product designed and constructed in Italy
- PATENTED stall-prevention pneumatic circuit
- Operates with non-lubricated air
- SELF-PRIMING
- Dry operation
- ATEX certification for ZONE 1 - ZONE 2
- IECEx certification
- Adjustable operating speed
- Extremely versatile
- Suitable for pumping liquids with high viscosity and demanding applications
- Possibility of pumping fluids containing suspended solids
- Possibility of suspended installation
- Manifolds can be supplied with stainless steel reinforcement rings for pumps in PP – PP+CF – PVDF
- Suitable for continuous use

# MICROBOXER

AIR-OPERATED DOUBLE DIAPHRAGM PUMPS



## Specifications and types



STANDARD: II 3G Ex h IIB T4 Gc - II 3D Ex h IIIB T135°C Dc X - I M2 Ex h I Mb X  
 CONDUCT: II 2G Ex h IIB T4 Gb - II 2D Ex h IIIB T135°C Db X - Ex h IIB T4 Gb - Ex h IIIB T135°C Db



### PP

Microboxer



#### Maximum Dimensions

Height	168 mm
Width	165 mm
Depth	120 mm



#### Construction materials (casing and manifolds) and net weight

Polypropylene (with glass additive) Max 3°C min. 65°C max	1.6 kg
---	--------

Conductive polypropylene (with carbon additive) Max 3°C min. 65°C max	1.6 kg
---	--------



#### Construction materials (casing and manifolds) available on request

POMc  
 UHMWPE



### PVDF

Microboxer



#### Maximum Dimensions

Height	168 mm
Width	165 mm
Depth	120 mm



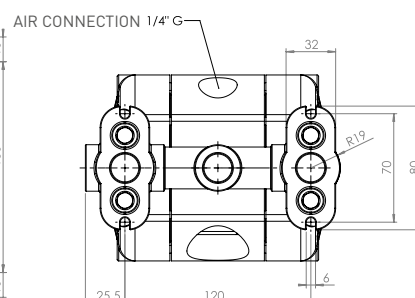
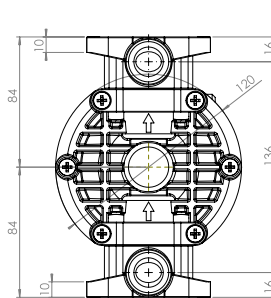
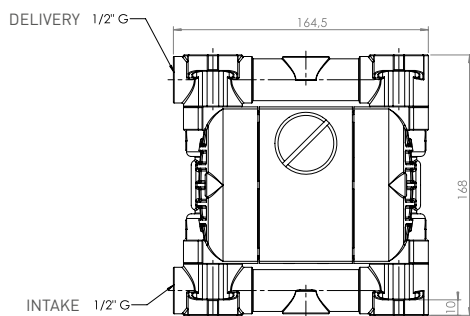
#### Construction materials (casing and manifolds) and net weight

PVDF Max 3°C min. 95°C max	1.98 kg
----------------------------------	---------



#### Construction materials (casing and manifolds) available on request

POMc  
 UHMWPE



# MICROBOXER

AIR-OPERATED DOUBLE DIAPHRAGM PUMPS



## Specifications and types



STANDARD: II 3G Ex h IIB T4 Gc - II 3D Ex h IIIB T135°C Dc X - I M2 Ex h I Mb X  
 CONDUCT: II 2G Ex h IIB T4 Gb - II 2D Ex h IIIB T135°C Db X - Ex h IIB T4 Gb - Ex h IIIB T135°C Db



### ALU

Microboxer



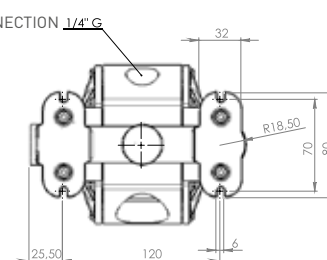
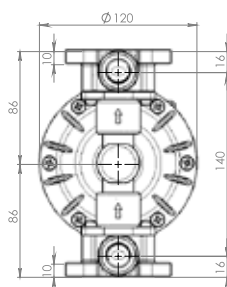
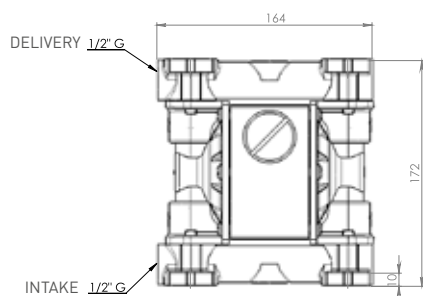
#### Maximum Dimensions

Height	172 mm
Width	164 mm
Depth	120 mm



#### Construction materials (casing and manifolds) and net weight

ALU	2.1 kg
	Max 3°C min.
	95°C max



### AISI 316 L

Microboxer



#### Maximum Dimensions

Height	171 mm
Width	177 mm
Depth	120 mm



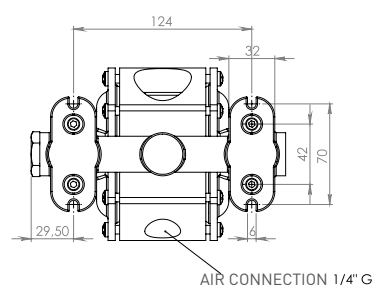
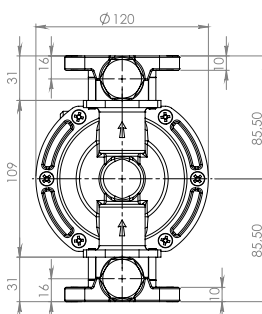
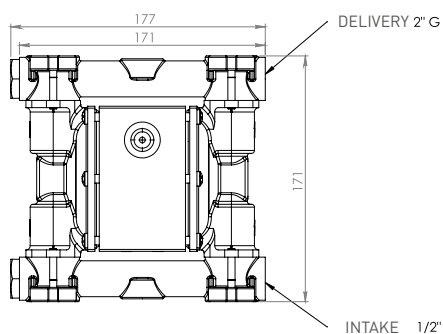
#### Construction materials (casing and manifolds) and net weight

AISI 316 L	3.75 kg
	Max 3°C min.
	95°C max



#### Construction materials (casing and manifolds) available on request

DUPLEX/W.DUPLEX





### Specifications and types



STANDARD: II 3G Ex h IIB T4 Gc - II 3D Ex h IIIB T135°C Dc X - I M2 Ex h I Mb X  
 CONDUCT: II 2G Ex h IIB T4 Gb - II 2D Ex h IIIB T135°C Db X - Ex h IIB T4 Gb - Ex h IIIB T135°C Db

## BOXER PUMPS CODES ENCODING

ex. IB50-P-HTTPV--

Internal distributor, Boxer 50, PP casing, Hytrel® air side diaphragm, PTFE product side diaphragm, PTFE balls, PP ball seats, Viton® o-ring.

I	B50-	P	H	T	T	P	V	-	-
INTERNAL DISTRIBUTOR	PUMP MODEL	DAMPER PUMP	AIR-SIDE DIAPHRAGM	PRODUCT-SIDE DIAPHRAGM	BALLS	BALL SEATS	O-RING	SPLIT MANIFOLD	CONDUCT VERSION
I	<b>B7</b> Boxer 7 <b>B15</b> Boxer 15 <b>MICR</b> Microboxer <b>MIN</b> Miniboxer <b>B50</b> Boxer 50 <b>B81</b> Boxer 81 <b>B90</b> Boxer 90 <b>B100</b> Boxer 100 <b>B150</b> Boxer 150 <b>B251</b> Boxer 251 <b>B252</b> Boxer 252 <b>B502</b> Boxer 502 <b>B522</b> Boxer 522 <b>B503</b> Boxer 503	<b>P</b> - Polypropylene <b>FC</b> - PVDF+CF <b>PC</b> - PP+CF <b>AL</b> - Aluminium <b>A</b> - AISI 316	<b>N</b> - NBR <b>D</b> - EPDM <b>H</b> - Hytrel <b>M</b> - Santoprene	<b>T</b> - PTFE	<b>T</b> - PTFE <b>A</b> - AISI 316 <b>D</b> - EPDM <b>N</b> - NBR	<b>P</b> - Polypropylene <b>F</b> - PVDF <b>A</b> - AISI 316 <b>I</b> - PE-UHMW <b>R</b> - PPS-V <b>L</b> - Aluminium	<b>D</b> - EPDM <b>V</b> - Viton® <b>N</b> - NBR <b>T</b> - PTFE <b>S</b> - Silicone	<b>X*</b> <b>3*</b> <b>Y*</b> <b>J*</b> <b>W*</b>	<b>C*</b> <b>Z*</b>

\*X = split manifold

\*3 = 3° central hole on manifold

\*Y = "NPT" thread

\*J = spacer on shaft

\*W = clamp manifold

(all only on request)

C = version CONDUCT for standard ATEX ZONE 1 Ex II 2/2GD c IIB T135°C

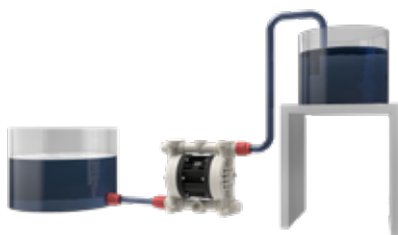
Z = version for standard IECEx

(both only on request)

SELF-PRIMING USE



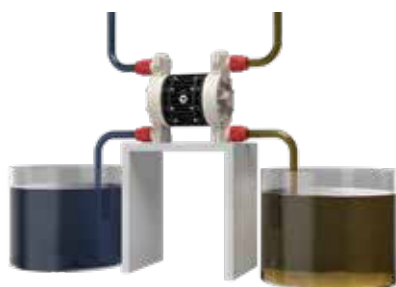
UNDER HEAD USE



DRUM TRANSFER



SPLIT SUCTION and DELIVERY



SPLIT SUCTION

