

# MB 180

## HORIZONTAL CENTRIFUGAL PUMPS



■ Product designed and constructed in Italy

■ Constructed in polypropylene or PVDF

■ Under head use

■ Weld-free

■ Usable with fluids containing suspended solids

■ Extremely easy to maintain

■ Suitable for continuous use

■ Available with:

- Mechanical bellows seal (new generation "Self-locking" system)

Aisi 304 spring - Seal ring in SILICON CARBIDE + CERAMIC / SILICON CARBIDE + SILICON CARBIDE

- Lip seal: VITON® or EPDM



## MB PUMPS CODES ENCODING

ex. MB080--P-TLVN

MB 80 PP, Viton® lip seal, three-phase motor.

MB80	P	TLV	N
PUMP MODEL	PUMP PUMP	TYPE OF SEAL	MOTOR
MB 80 - MB 80 MB 100 - MB 100 MB 110 - MB 110 MB 120 - MB 120 MB 130 - MB 130 MB 140 - MB 140 MB 150 - MB 150 MB 155 - MB 155 MB 160 - MB 160 MB 180 - MB 180	P - Polypropylene FC - PVDF+CF	TLV - Viton® lip seal TLD - EPDM lip seal TSV - Viton® bellows seal TSD - EPDM bellows seal	N* - Three-phase motor M - Single-phase motor A - ATEX motor

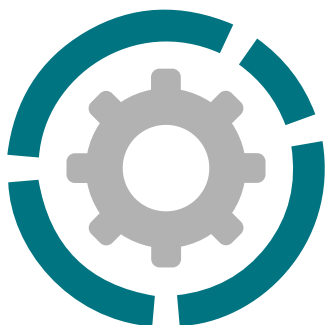
\* Three-phase asynchronous eurotension motor fitted as standard (2 poles) 50Hz

# MB 180

HORIZONTAL CENTRIFUGAL PUMPS



## Specifications and types



Suction fittings	G 2" 1/2 f or DN 65
Delivery fittings	G 2" m or DN 50
Max flow rate	75 m <sup>3</sup> /h
Max head	38 m
Viscosity up to	500 cps
Standard open impeller	Ø 176mm H 15 mm -10 ° *
Passing solids	Ø max 9 mm

\* Special versions are available on request for the fluid pumped

PP



### Pump casing construction material, operating temperature and net weight

Polypropylene (with glass additive)	9.9 kg*
	Max 3°C min. 65°C max
PVDF (with carbon additive)	12.2 kg*
	Max 3°C min. 95°C max

\* The weights refer to the pump without the motor

### Standard electric motor:

Kw	11
HP	15
Box	B3 + B5
RPM	2900
THREE-PHASE 400/690 V	
50/60 Hz	
2 poles	
Efficiency class	IE3
IP55 protection rating	
Ambient temperature -30°C + 45°C	
Aluminium/Cast iron	
ATEX	on request

PVDF



### MAIN APPLICATION SECTORS



CHEMICAL INDUSTRY



WATER AND SLUDGE  
TREATMENT



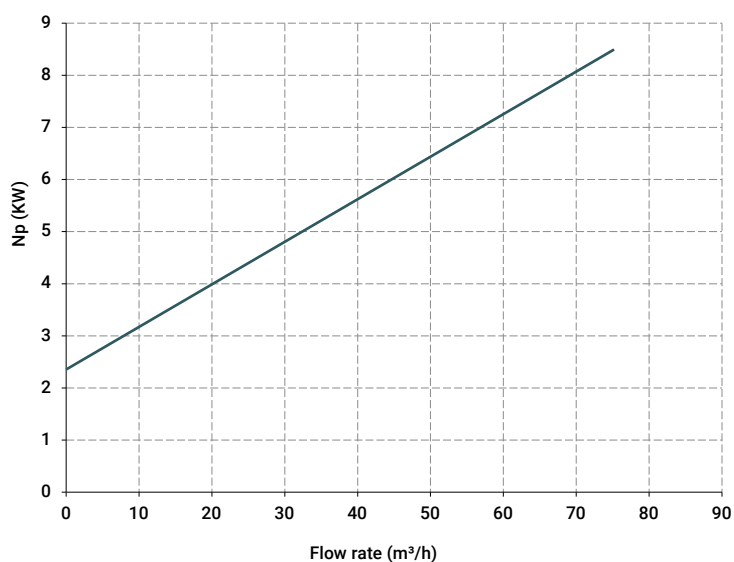
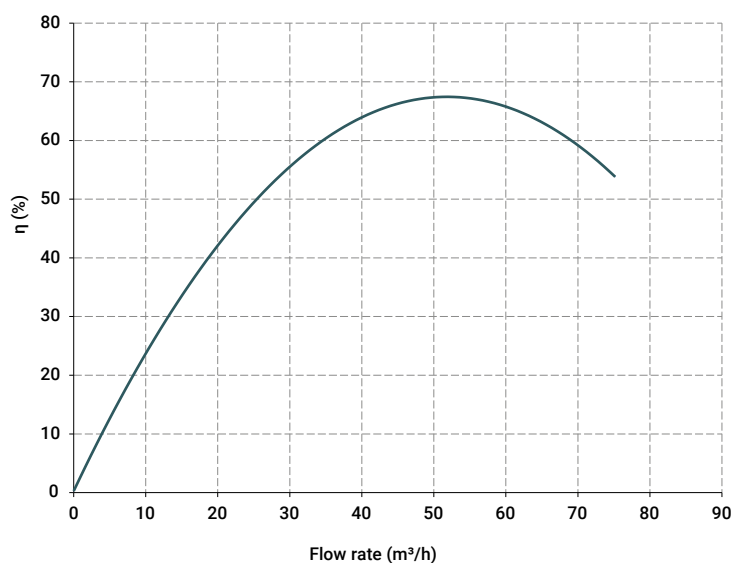
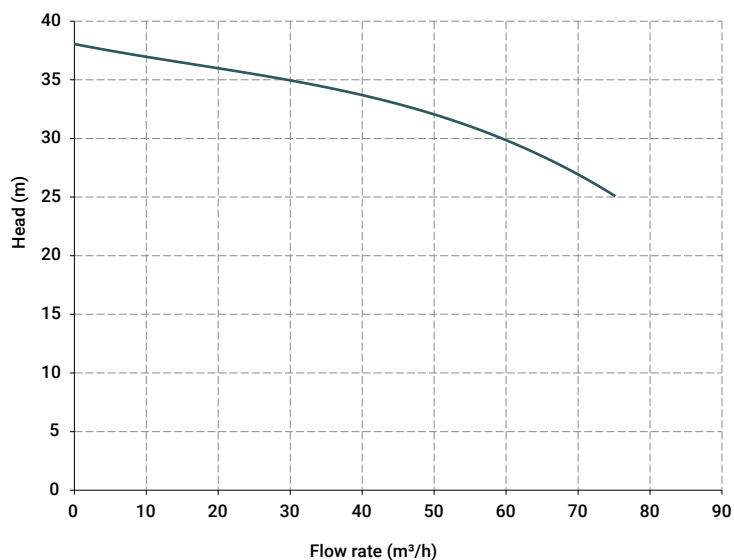
GALVANIC AND ELECTRONIC  
INDUSTRY

# MB 180

HORIZONTAL CENTRIFUGAL PUMPS



## Specifications and types



The curves and the performances refer to pumps with open delivery outlet, with water at 20°C, 50 Hz two-pole motor [2900 RPM].

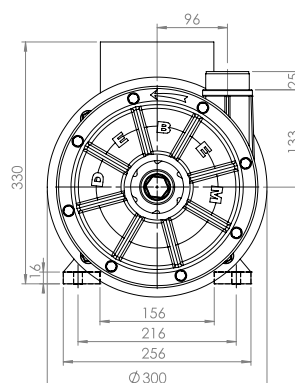
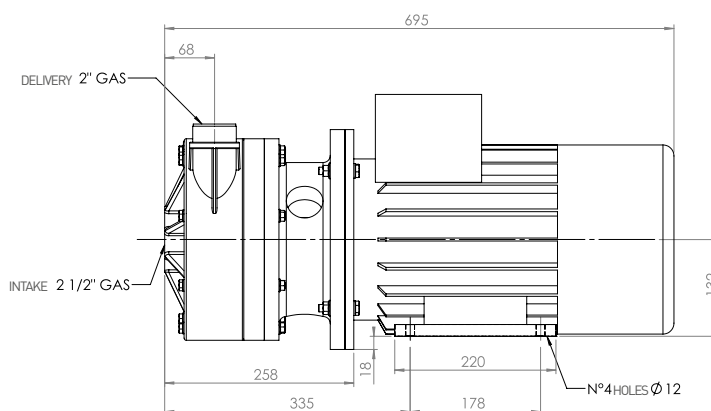
# MB 180

HORIZONTAL CENTRIFUGAL PUMPS

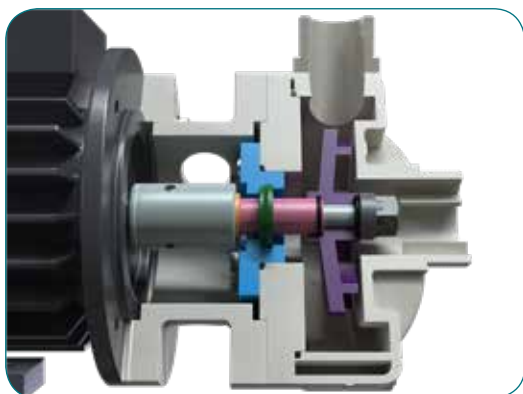


## Specifications and types

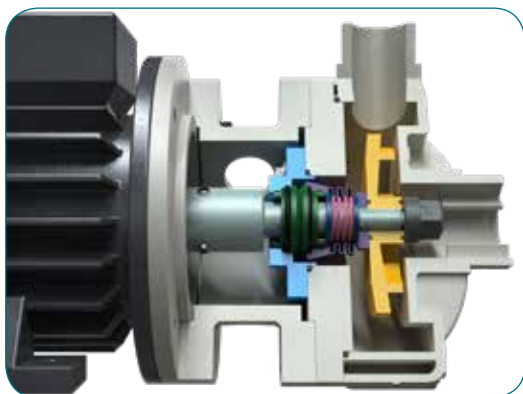
Pump	Motor power
MB 80	0.37 Kw - 0.5 HP
MB 100	0.55 Kw - 0.75 HP
MB 110	1.1 Kw - 1.5 HP
MB 120	1.5 Kw - 2 HP
MB 130	2.2 Kw - 3 HP
MB 140	3 Kw - 4 HP
MB 150	4 Kw - 5.5 HP
MB 155	5.5 Kw - 7.5 HP
MB 160	7.5 Kw - 10 HP
MB 180	11 Kw - 15 HP



TL = lip seal



TS = bellows seal



### Seal o-ring materials:

- EPDM
- VITON®

### Package:

- wooden crate
- cm 81 x 40 x 56 – weight 17 kg

(The weight refers to the package only, without the pump)

### Accessories

**FLANGE KIT (DIN standard - ANSI available on request):**

- KITFLANGMB180P (POLYPROPYLENE)
  - KITFLANGMB180F (PVDF)
- Polypropylene or PVDF basket strainers