

IM 80

VERTICAL CENTRIFUGAL PUMPS



- Product designed and constructed in Italy
- Constructed in polypropylene or PVDF
- Normalised electric motor
- Support lantern and connection between pump and motor with a flexible coupling
- Usable with fluids containing suspended solids
- Suitable for continuous use



IM PUMPS CODES ENCODING

ex. IM140P-V-0800-N
IM140 PP, O-Ring Viton®, column height 800 mm, three-phase motor

IM140	P	V	0800	N
PUMP MODEL	PUMP PUMP	O-RING	COLUMN HEIGHT	MOTOR
IM 80 - IM 80 IM 90 - IM 90 IM 95 - IM 95 IM 110 - IM 110 IM 120 - IM 120 IM 130 - IM 130 IM 140 - IM 140 IM 150 - IM 150 IM 155 - IM 155 IM 160 - IM 160 IM 180 - IM 180 IM 200 - IM 200	P - Polypropylene FC - PVDF+CF	D - EPDM V - Viton®	0250 - 250 mm** 0500 - 500 mm 0800 - 800 mm 1000 - 1000 mm 1250 - 1250 mm	N* - Three-phase motor M - Single-phase motor A - ATEX motor

* Three-phase asynchronous eurotension motor fitted as standard (2 poles) 50Hz

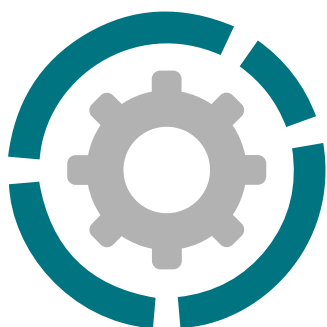
** Available only for IM 80/90 pumps

IM 80

VERTICAL CENTRIFUGAL PUMPS



Specifications and types



Suction fittings	G 1" 1/2 f or DN 40
Delivery fittings	G 1" m or DN 25
Max flow rate	6 m3/h
Max head	7.5 m
Viscosity up to	500 cps
Standard open impeller	Ø 85 mm H 9 mm*
Passing solids	Ø max 7 mm

* Special versions are available on request for the fluid pumped



PP



PVDF

Standard electric motor:

Kw	0.37
HP	0.5
Box	B5
RPM	2900

THREE-PHASE 230/400 V

50/60 Hz

2 poles

IE1 efficiency class

IP55 protection rating

Ambient temperature -30°C + 45°C

Aluminium/Cast iron

SINGLE-PHASE on request

ATEX on request

STD Column length	PP* weight	PVDF* weight
250	6.5 Kg	7 Kg
500	7.5 Kg	8 Kg
800	10.5 Kg	11 Kg

* The weights refer to the pump without the motor

NB: Special versions only on request with column length from min. 250 mm to max. 1000 mm.

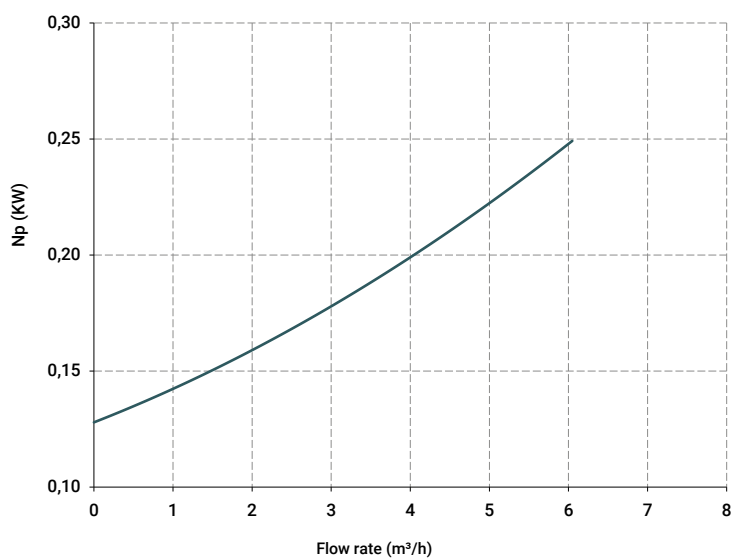
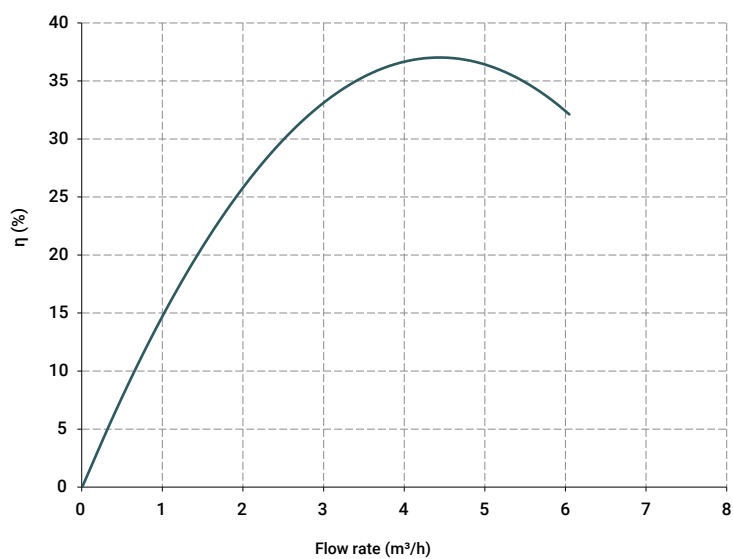
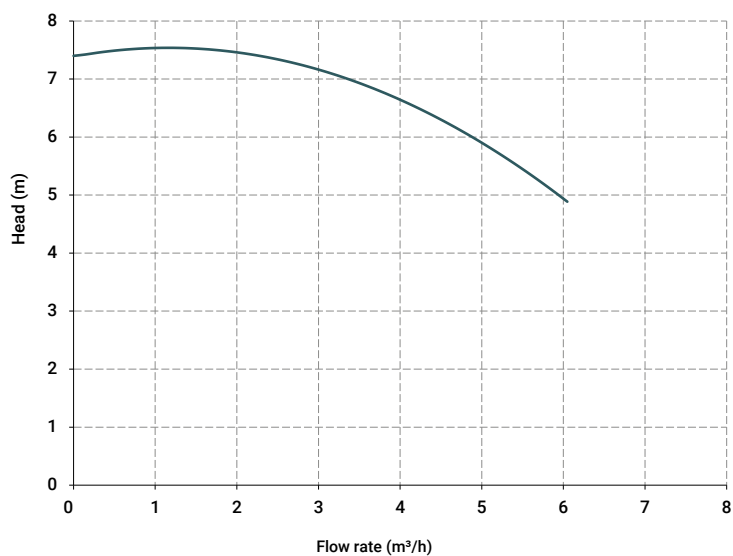
MAIN APPLICATION SECTORS



Operating temperature:

PP	from +3°C to +65°C
PVDF	from +3°C to +95°C

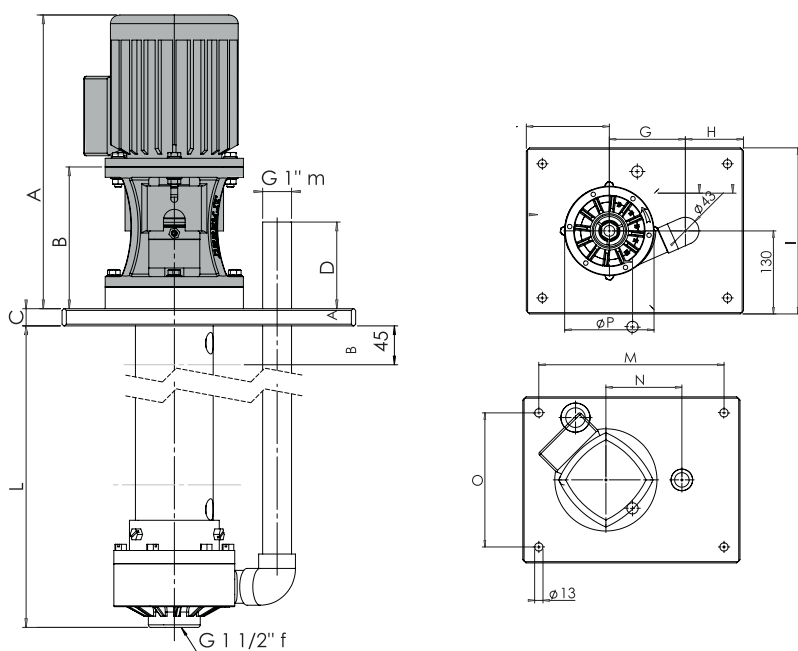
Specifications and types



The curves and the performances refer to pumps with open delivery outlet, with water at 20°C, 50 Hz two-pole motor (2900 RPM).

Specifications and types

MODEL	POWER	PASSING SOLIDS	A	B	C	D	E	F	G	H	I	M	N	O	P	KG MOTOR
IM 80	0.37 Kw - 0.5 HP	7	340	164	20	100	340	130	119	91	260	290	119	210	Ø140	8



TANK USE

Pump	Motor power
IM 80	0.37 Kw - 0.5 HP
IM 90	0.55 Kw - 0.75 HP
IM 95	0.75 Kw - 1 HP
IM 110	1.1 Kw - 1.5 HP
IM 120	1.5 Kw - 2 HP
IM 130	2.2 Kw - 3 HP
IM 140	3 Kw - 4 HP
IM 150	4 Kw - 5.5 HP
IM 155	5.5 Kw - 7.5 HP
IM 160	7.5 Kw - 10 HP
IM 180	11 Kw - 15 HP
IM 200	18.5 Kw - 25 HP

Seal o-ring materials:

- EPDM
- VITON®

Package:

wooden cage - weights and dimensions vary based on the length of the pump

Accessories

FLANGE KIT (DIN standard - ANSI available on request):

- KITFLANGIM080P (POLYPROPYLENE)
- KITFLANGIM080F (PVDF)

- Pump protection filter* in PP (*the filter is sold separately)
- Pump protection filter* in PVDF (*the filter is sold separately)

Customisable fixing plate only at the design stage