

# IM 160

## VERTICAL CENTRIFUGAL PUMPS



- Product designed and constructed in Italy
- Constructed in polypropylene or PVDF
- Normalised electric motor
- Support lantern and connection between pump and motor with a flexible coupling
- Usable with fluids containing suspended solids
- Suitable for continuous use



## IM PUMPS CODES ENCODING

ex. IM140P-V-0800-N  
IM140 PP, O-Ring Viton®, column height 800 mm, three-phase motor

IM140	P	V	0800	N
PUMP MODEL	PUMP PUMP	O-RING	COLUMN HEIGHT	MOTOR
IM 80 - IM 80 IM 90 - IM 90 IM 95 - IM 95 IM 110 - IM 110 IM 120 - IM 120 IM 130 - IM 130 IM 140 - IM 140 IM 150 - IM 150 IM 155 - IM 155 IM 160 - IM 160 IM 180 - IM 180 IM 200 - IM 200	<b>P</b> - Polypropylene <b>FC</b> - PVDF+CF	<b>D</b> - EPDM <b>V</b> - Viton®	<b>0250</b> - 250 mm** <b>0500</b> - 500 mm <b>0800</b> - 800 mm <b>1000</b> - 1000 mm <b>1250</b> - 1250 mm	<b>N*</b> - Three-phase motor <b>M</b> - Single-phase motor <b>A</b> - ATEX motor

\* Three-phase asynchronous eurotension motor fitted as standard (2 poles) 50Hz

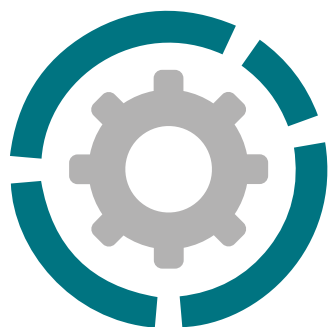
\*\* Available only for IM 80/90 pumps

# IM 160

VERTICAL CENTRIFUGAL PUMPS



## Specifications and types



Suction fittings	G 2" 1/2 f or DN 65 on request
Delivery fittings	G 2" m or DN 50 on request
Max flow rate	55 m <sup>3</sup> /h
Max head	32 m
Viscosity up to	500 cps
Standard open impeller	Ø 162 mm H 11 mm -10° *
Passing solids	Ø max 9 mm

\* Special versions are available on request for the fluid pumped

PP



PVDF



### Standard electric motor:

Kw	7.5
HP	10
Box	B5
RPM	2900

THREE-PHASE 400/690 V

50/60 Hz

2 poles

Efficiency class IE3

IP55 protection rating

Ambient temperature -30°C + 45°C

Aluminium/Cast iron

ATEX on request

### STD Column length PP\* weight PVDF\* weight

500	31 kg	33 kg
800	34 kg	36 kg
1000	36 kg	38 kg
1250	39 kg	41 kg

\* The weights refer to the pump without the motor

NB: Special versions only on request with column length from min. 400 mm to max. 1000 mm.

### MAIN APPLICATION SECTORS



CHEMICAL INDUSTRY



WATER AND SLUDGE TREATMENT



GALVANIC AND ELECTRONIC INDUSTRY

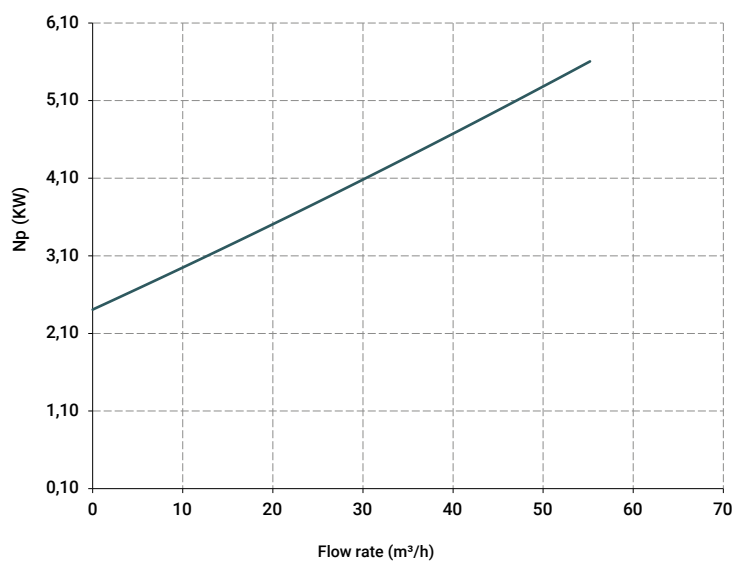
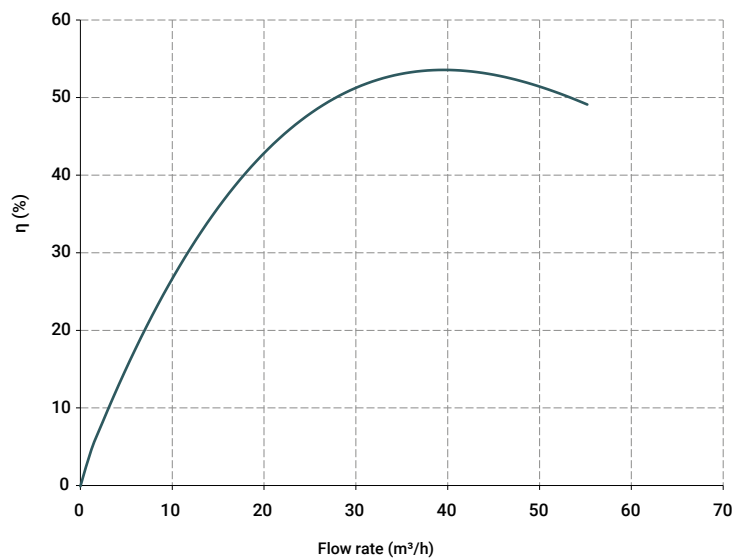
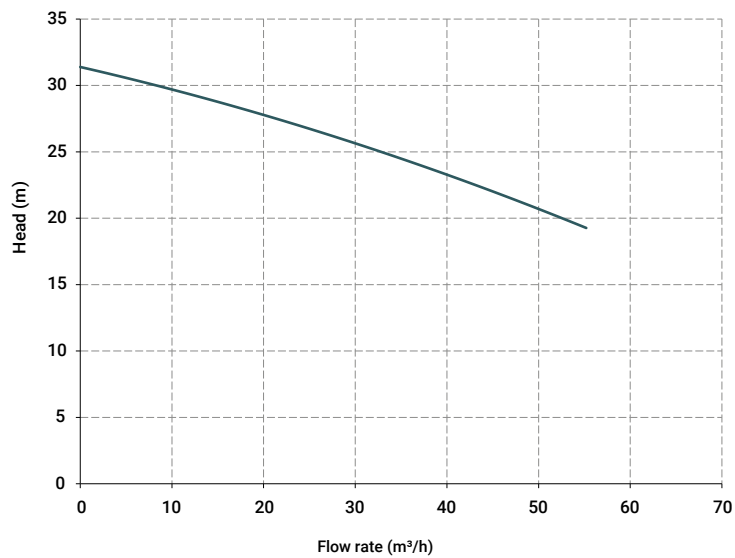


MECHANICAL AND METALLURGIC INDUSTRY

### Operating temperature:

PP	from +3°C to +65°C
PVDF	from +3°C to +95°C

### Specifications and types



The curves and the performances refer to pumps with open delivery outlet, with water at 20°C, 50 Hz two-pole motor [2900 RPM].

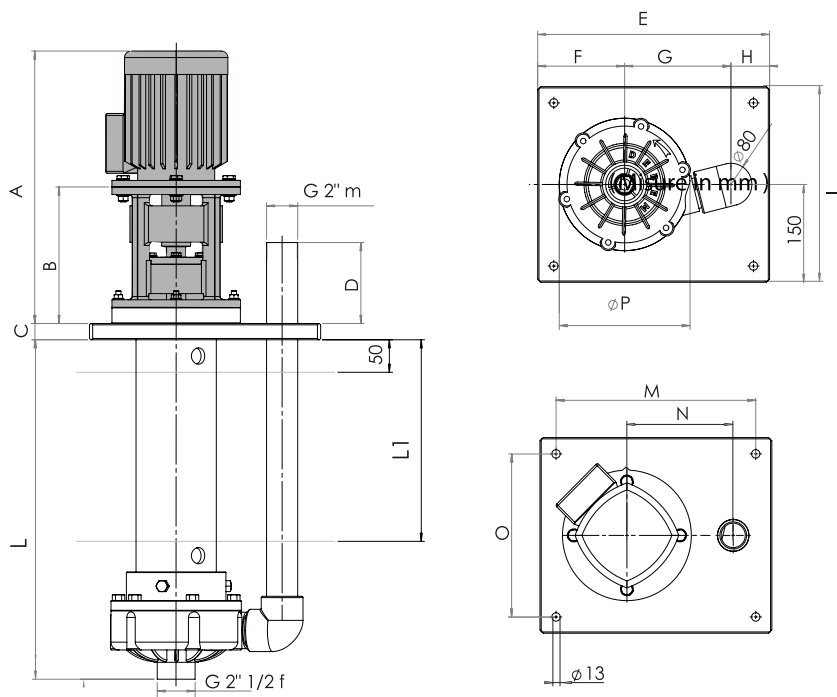
# IM 160

## VERTICAL CENTRIFUGAL PUMPS



### Specifications and types

MODEL	POWER	ØPASSING SOLIDS	A	B	C	D	E	F	G	H	I	M	N	O	P	KG MOTOR
IM 160	7.5 Kw - 10 HP	9	702	303	25	130	480	170	215	95	380	430	215	330	Ø275	61



TANK USE

Pump	Motor power
IM 80	0.37 Kw - 0.5 HP
IM 90	0.55 Kw - 0.75 HP
IM 95	0.75 Kw - 1 HP
IM 110	1.1 Kw - 1.5 HP
IM 120	1.5 Kw - 2 HP
IM 130	2.2 Kw - 3 HP
IM 140	3 Kw - 4 HP
IM 150	4 Kw - 5.5 HP
IM 155	5.5 Kw - 7.5 HP
IM 160	7.5 Kw - 10 HP
IM 180	11 Kw - 15 HP
IM 200	18.5 Kw - 25 HP

#### Seal o-ring materials:

- EPDM
- VITON®

#### Package:

wooden cage - weights and dimensions vary based on the length of the pump

#### Accessories

##### FLANGE KIT (DIN standard - ANSI available on request):

- KITFLANGIM160P (POLYPROPYLENE)
- KITFLANGIM160F (PVDF)

- Pump protection filter\* in PP (\*the filter is sold separately)
- Pump protection filter\* in PVDF (\*the filter is sold separately)

Customisable fixing plate only at the design stage