

# DM 10

## MAGNETIC DRIVE CENTRIFUGAL PUMPS



- Product designed and constructed in Italy
- Constructed in polypropylene or PVDF
- Under head use
- Extremely easy to maintain
- Suitable for continuous use



## DM PUMPS CODES ENCODING

ex. DM10P-SD1BE071

DM10 PP, standard thrust bearing, EPDM o-ring, Ø 98 mm impeller, BSP fitting, MEC motor flange, 071 casing.

DM10	P	S	D	1	B	E	071
PUMP MODEL	DAMPER PUMP	THRUST BEARING	O-RING	IMPELLER	FITTING	MOTOR MOTOR	CASING
DM06 DM10 DM15 DM30	P - Polypropylene FC - PVDF+CF	S - Standard (ceramic + PTFE Graphite)	D - EPDM V - Viton®	DM06 1=Ø 81 2=Ø 70 3=Ø 65 DM10 1=Ø 98 2=Ø 85 3=Ø 70 DM15 1=Ø 123 2=Ø 108 3=Ø 90 DM30 1=Ø 134 2=Ø 122 3=Ø 110	N - NPT B - BSP	E - MEC U* - NEMA	DM06 063 071 DM10 071 080 DM15 090 DM30 090 100 112

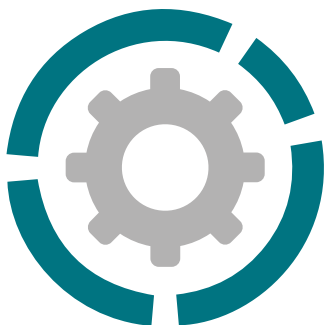
\* Only the pump can be supplied, with American flange, for coupling with NEMA motor

# DM 10

MAGNETIC DRIVE CENTRIFUGAL PUMPS



## Specifications and types



Suction fittings	G 1 1/2 f or DN 40 - NPT
Delivery fittings	G 1" m or DN 25 - NPT
Max flow rate	13 m <sup>3</sup> /h
Max head	14 m
Viscosity up to	150 cps

PP



PVDF



### Standard electric motor:

#### Kw 0.55 HP 0.75

Casing B3+B5 RPM 2900

#### Three-phase 230/400 V - 50/60 HZ

2 Poles IE1 Protection IP55

Ambient temperature -30°C + 45°C

#### Kw 0.75 HP 1

Casing B3+B5 RPM 2900

#### Three-phase 230/400 V - 50/60 HZ

2 Poles IE3 Protection IP55

Ambient temperature -30°C + 45°C

#### Kw 0.55 HP 0.75

Casing B3+B5 RPM 2900

#### Single-phase

Ambient temperature -30°C + 45°C

#### Kw 0.75 HP 1

Casing B3+B5 RPM 2900

#### Single-phase

Ambient temperature -30°C + 45°C

IMPELLER	Motor 0.55 Kw (3 HP)	Motor 0.75 Kw (4 HP)
Ø 98 mm (Standard)	up to 1.1 g/cm <sup>3</sup>	up to 1.5 g/cm <sup>3</sup>
Ø 85 mm	up to 1.6 g/cm <sup>3</sup>	up to 2 g/cm <sup>3</sup>
Ø 70 mm	up to 2 g/cm <sup>3</sup>	up to 2 g/cm <sup>3</sup>

### Electric motors available on request:

SINGLE-PHASE

ATEX

NEMA 56C\* / 143 TC\*

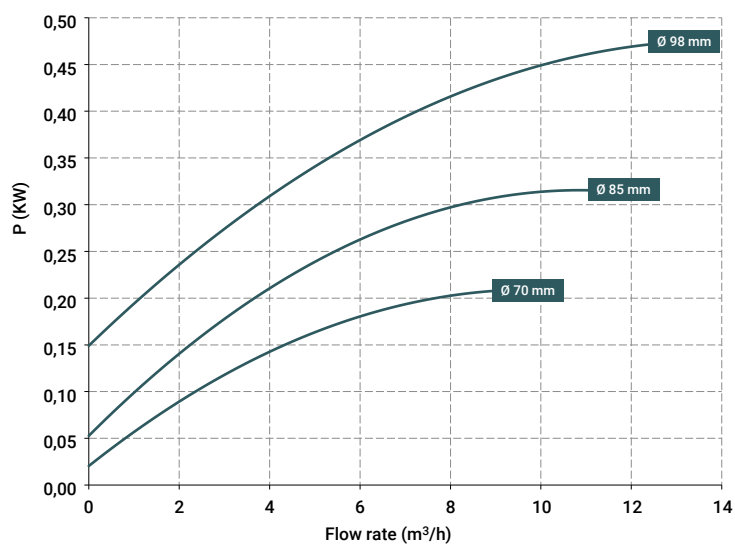
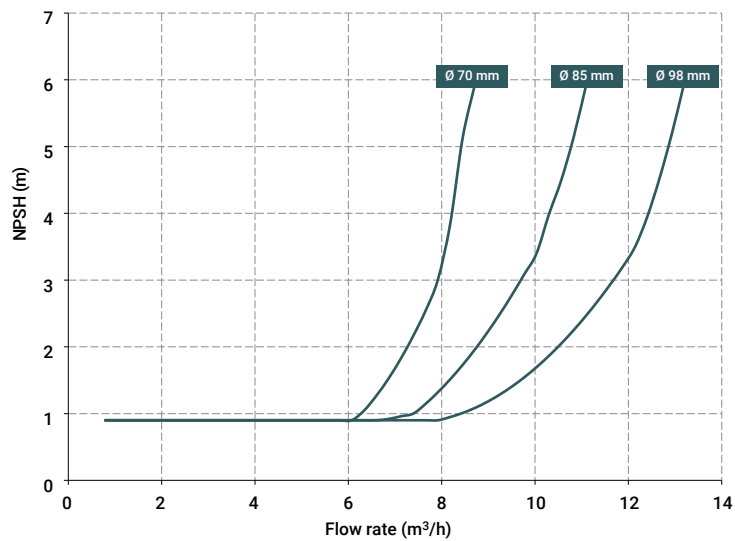
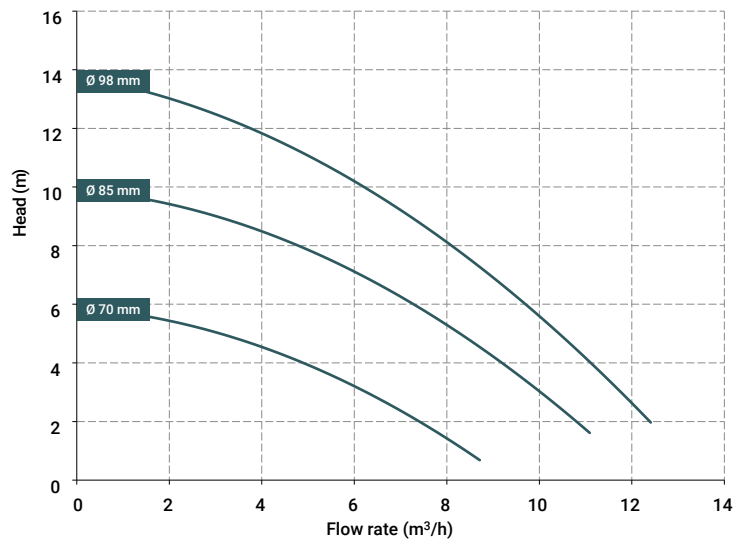
\*[only pump available, with American flange, for coupling with NEMA motor - the motor is not available in our standard]

### Operating temperature and weights:

PP	from + 3°C to + 65°C, 2.2 kg
PVDF	from + 3°C to + 95°C, 2.5 kg

The weights refer to the pump without the motor

### Specifications and types



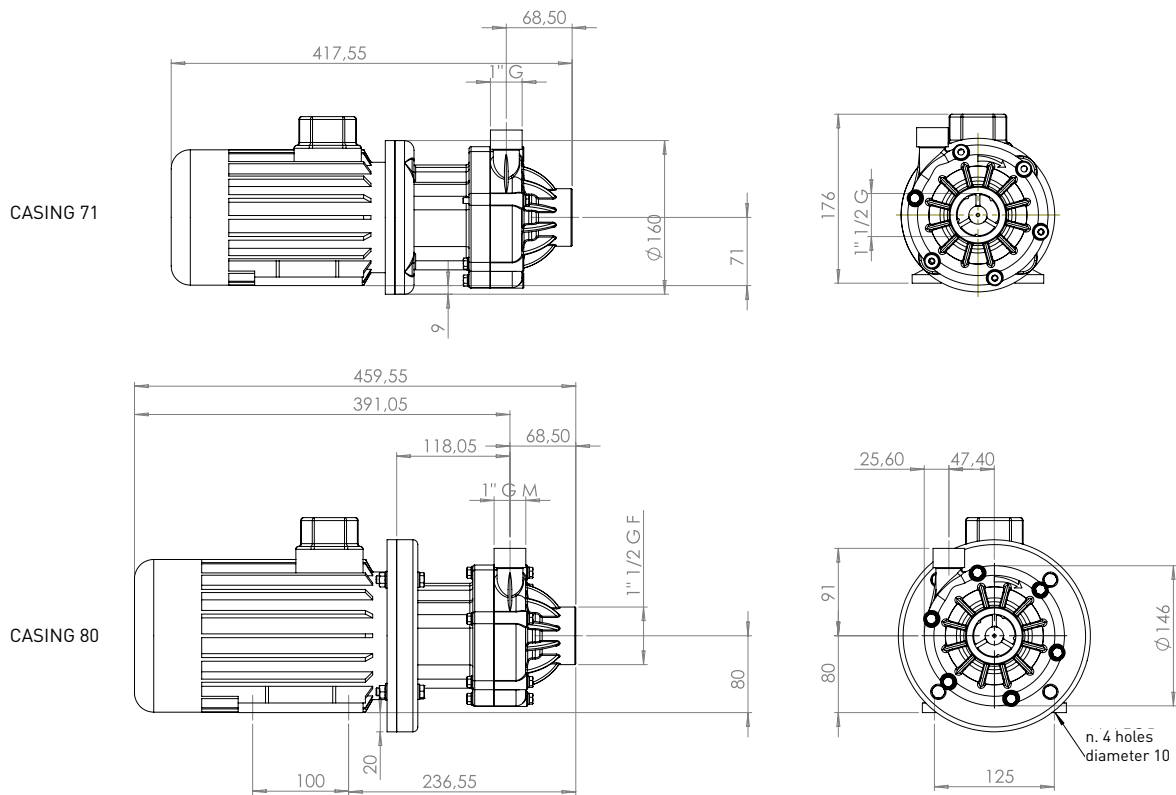
The curves and the performances refer to pumps with open delivery outlet, with water at 20°C, 50 Hz two-pole motor [2900 RPM].

# DM 10

MAGNETIC DRIVE CENTRIFUGAL PUMPS



## Specifications and types



The total length of the pump can vary based on the type of motor requested

### Seal o-ring materials:

- EPDM
- VITON®

### Package:

- Pump with 0.55 Kw motor
- Wooden crate  
cm 50 x 25 x 35 – weight 7 kg  
(The weight refers to the package only, without the pump)
- Pump with 0.75 Kw motor
- Wooden crate  
cm 55 x 28 x 42 – weight 10 kg  
(the weight refers to the package only, without the pump)

### FLANGE KIT (DIN standard - ANSI available on request):

- KITFLANGMB080P (POLYPROPYLENE)
- KITFLANGMB080F (PVDF)



### MAIN APPLICATION SECTORS



AUTOMOTIVE



CHEMICAL INDUSTRY



GALVANIC AND ELECTRONIC INDUSTRY



WATER AND SLUDGE TREATMENT

DM06 DM10 DM15 DM30