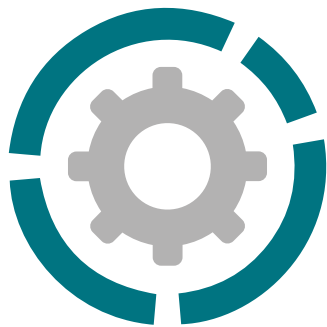


# BOXER 100

## AIR-OPERATED DOUBLE DIAPHRAGM PUMPS



Suction / delivery connections	G 1" or DN 25(*)
Air fitting	G 3/8" f
Max flow rate*	160 l/min
Max supply air pressure	8 bar
Max head*	80 m
Max negative suction head - dry-running**	4 m
Max negative suction head - pump primed	9,5 m
Max diameter of suspended solids	4 mm
Noise level	75 dB
Volume per stroke	222 cc

(\*) NPT fittings on request

\*\* The value depends on the pump configuration.



- Product designed and constructed in Italy
- PATENTED stall-prevention pneumatic circuit
- Operates with non-lubricated air
- SELF-PRIMING
- Dry operation
- ATEX certification for ZONE 1 - ZONE 2
- IECEx certification
- Adjustable operating speed
- Extremely versatile
- Suitable for pumping liquids with high viscosity and demanding applications
- Possibility of pumping fluids containing suspended solids
- Possibility of suspended installation
- Manifolds can be supplied with stainless steel reinforcement rings for pumps in PP - PP+CF - PVDF
- Suitable for continuous use

# BOXER 100

AIR-OPERATED DOUBLE DIAPHRAGM PUMPS



## Specifications and types



STANDARD: II 3G Ex h IIB T4 Gc - II 3D Ex h IIIB T135°C Dc X - I M2 Ex h I Mb X  
 CONDUCT: II 2G Exh IIB T4 Gb - II 2D Exh IIIB T135°C Db X - Exh IIB T4 Gb - Exh IIIB T135°C Db



### PP

Boxer 100



#### Maximum Dimensions

Height	325 mm
Width	329 mm
Depth	202 mm



#### Construction materials (casing and manifolds) and net weight

Polypropylene (with glass additive)	7.6 kg
	Max 3°C min.
	65°C max
Conductive polypropylene (with carbon additive)	7.6 kg
	Max 3°C min.
	65°C max



#### Construction materials (casing and manifolds) available on request

POMc  
 UHMWPE



### PVDF

Boxer 100



#### Maximum Dimensions

Height	325 mm
Width	329 mm
Depth	202 mm



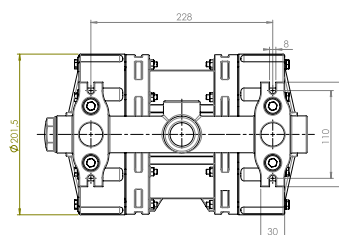
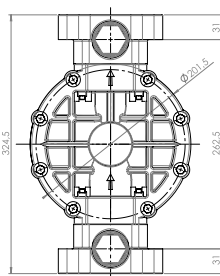
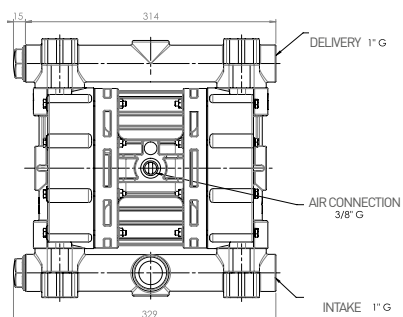
#### Construction materials (casing and manifolds) and net weight

PVDF	9.6 kg
	Max 3°C min.
	95°C max



#### Construction materials (casing and manifolds) available on request

POMc  
 UHMWPE



# BOXER 100

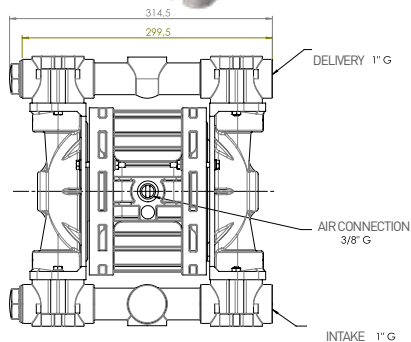
AIR-OPERATED DOUBLE DIAPHRAGM PUMPS



## Specifications and types



STANDARD: II 3G Ex h IIB T4 Gc - II 3D Ex h IIIB T135°C Dc X - I M2 Ex h I Mb X  
 CONDUCT: II 2G Ex h IIB T4 Gb - II 2D Ex h IIIB T135°C Db X - Ex h IIB T4 Gb - Ex h IIIB T135°C Db



### ALU

Boxer 100



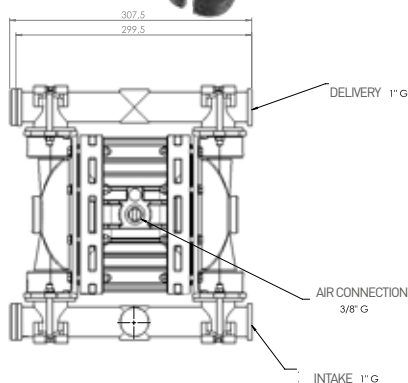
#### Maximum Dimensions

Height	324 mm
Width	315 mm
Depth	202 mm



#### Construction materials (casing and manifolds) and net weight

<b>ALU</b>	8.5 kg
	Max 3°C min.
	95°C max



### Electropolished AISI 316

Boxer 100



#### Maximum Dimensions

Height	327 mm
Width	308 mm
Depth	202 mm



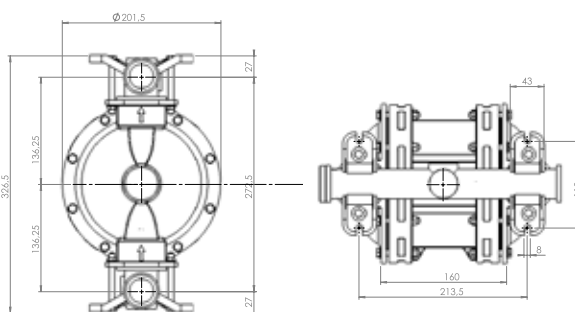
#### Construction materials (casing and manifolds) and net weight

<b>Electropolished AISI 316</b>	11.7 kg
	Max 3°C min.
	95°C max



#### Construction materials (casing and manifolds) available on request

**DUPLEX/W.DUPLEX**



# BOXER 100

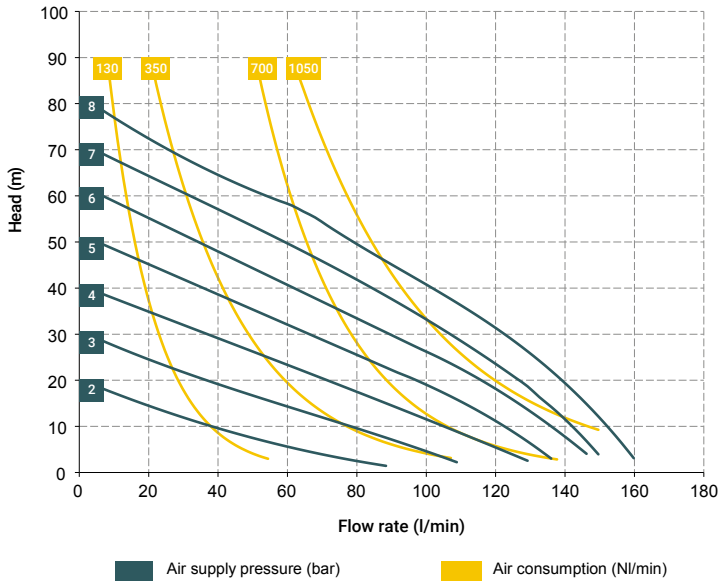
AIR-OPERATED DOUBLE DIAPHRAGM PUMPS



## Specifications and types



STANDARD: II 3G Ex h IIB T4 Gc - II 3D Ex h IIIB T135°C Dc X - I M2 Ex h I Mb X  
CONDUCT: II 2G Ex h IIB T4 Gb - II 2D Ex h IIIB T135°C Db X - Ex h IIB T4 Gb - Ex h IIIB T135°C Db



\*The curves and the performances refer to pumps with immersed suction and open delivery outlet, with water at 20°C and vary based on the composition materials.

### Accessories:

- Equaflux 200
- (For the dampener materials refer to the relative technical sheet)
- Truck model 01

### Foot valve:

- VALVFN0000100APP (POLYPROPYLENE)
- VALVFN0000100AFV (PVDF)

- Air regulation kit W3000-10-G
- Batch controller
- Cycle counter
- Reinforcement rings

### Flange kit (DIN flange - ANSI available on request):

- KITFLANG-B100P (POLYPROPYLENE)
- KITFLANG-B100F (PVDF)
- KITFLANG-B100A (AISI 316)
- KITFLANG-B100AL (ALUMINIUM)

### T20 distributor material (pneumatic circuit):

- POM

### Central material:

- Polypropylene (with glass additive)
- Conductive polypropylene (with carbon additive)
- Aluminium
- Aisi 316
- DUPLEX/S.DUPLEX

### Diaphragm materials:

- PTFE
- HYTREL
- SANTOPRENE
- NBR
- EPDM

### Caps materials:

- Polypropylene (with glass additive)
- Conductive polypropylene (with carbon additive)
- PVDF
- Aluminium
- Natural ECTFE
- AISI 316

### Balls materials:

- PTFE
- AISI 316
- EPDM
- NBR

### O-ring materials:

- EPDM
- NBR
- VITON®
- PTFE

### Package:

cardboard box – cm 27 x 39 x 41 – weight 1.4 kg  
(the weight refers to the package only, without the pump)

Any chromatic variations in our polypropylene and PVDF products are due to the special mixtures of the raw materials used. The use of high quantities of, respectively, glass and carbon additives, results in a unique aesthetic that does not affect the quality of the product in any way. Quite the opposite, it highlights its highly technological nature, to the benefit of its performance.

## MAIN APPLICATION SECTORS



AUTOMOTIVE



PRODUCTION AND STORAGE OF BIODIESEL



WATER AND SLUDGE TREATMENT



PHARMACEUTICAL INDUSTRY



OIL & GAS



GRAPHIC INDUSTRY



CERAMIC, STONE, MARBLE GLASS AND MINING INDUSTRY



PAINT INDUSTRY



PACKING, GLUE, PAPER AND PAPER MILLS



GOLD PROCESSING INDUSTRY



TEXTILE AND LEATHER INDUSTRY



MECHANICAL AND METALLURGIC INDUSTRY



GALVANIC AND ELECTRONIC INDUSTRY

# BOXER 100

AIR-OPERATED DOUBLE DIAPHRAGM PUMPS



## Specifications and types



STANDARD: II 3G Ex h IIB T4 Gc - II 3D Ex h IIIB T135°C Dc X - I M2 Ex h I Mb X  
 CONDUCT: II 2G Ex h IIB T4 Gb - II 2D Ex h IIIB T135°C Db X - Ex h IIB T4 Gb - Ex h IIIB T135°C Db

## BOXER PUMPS CODES ENCODING

ex. IB50-P-HTTPV--

Internal distributor, Boxer 50, PP casing, Hytrel® air side diaphragm, PTFE product side diaphragm, PTFE balls, PP ball seats, Viton® o-ring.

I	IB50-	P	H	T	T	P	V	-	-
INTERNAL DISTRIBUTOR	PUMP MODEL	DAMPER PUMP	AIR-SIDE DIAPHRAGM	PRODUCT-SIDE DIAPHRAGM	BALLS	BALL SEATS	O-RING	SPLIT MANIFOLD	CONDUCT VERSION
I	<b>B7</b> Boxer 7 <b>B15</b> Boxer 15 <b>MICR</b> Microboxer <b>MIN</b> Miniboxer <b>B50</b> Boxer 50 <b>B81</b> Boxer 81 <b>B90</b> Boxer 90 <b>B100</b> Boxer 100 <b>B150</b> Boxer 150 <b>B251</b> Boxer 251 <b>B252</b> Boxer 252 <b>B502</b> Boxer 502 <b>B522</b> Boxer 522 <b>B503</b> Boxer 503	<b>P</b> - Polypropylene <b>FC</b> - PVDF+CF <b>PC</b> - PP+CF <b>AL</b> - Aluminium <b>A</b> - AISI 316	<b>N</b> - NBR <b>D</b> - EPDM <b>H</b> - Hytrel <b>M</b> - Santoprene	<b>T</b> - PTFE	<b>T</b> - PTFE <b>A</b> - AISI 316 <b>D</b> - EPDM <b>N</b> - NBR	<b>P</b> - Polypropylene <b>F</b> - PVDF <b>A</b> - AISI 316 <b>I</b> - PE-UHMW <b>R</b> - PPS-V <b>L</b> - Aluminium	<b>D</b> - EPDM <b>V</b> - Viton® <b>N</b> - NBR <b>T</b> - PTFE <b>S</b> - Silicone	<b>X*</b> <b>3*</b> <b>Y*</b> <b>J*</b> <b>W*</b>	<b>C*</b> <b>Z*</b>

\*X = split manifold

\*3 = 3° central hole on manifold

\*Y = "NPT" thread

\*J = spacer on shaft

\*W = clamp manifold

(all only on request)

C = version CONDUCT for standard ATEX ZONE 1 Ex II 2/2GD c IIB T135°C

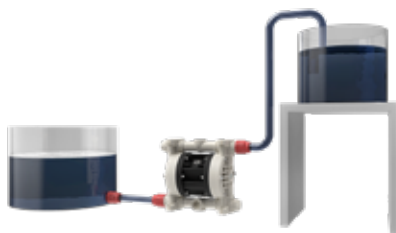
Z = version for standard IECEx

(both only on request)

SELF-PRIMING USE



UNDER HEAD USE



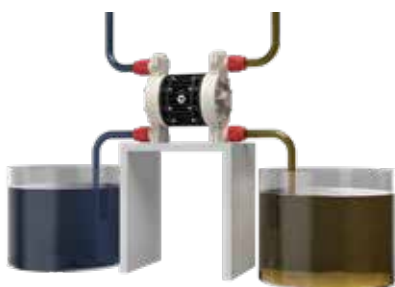
IMMERSED



DRUM TRANSFER



SPLIT SUCTION and DELIVERY



SPLIT SUCTION

